



# TOFcb-635-S-UWF

## Micro 3D-Camera Module

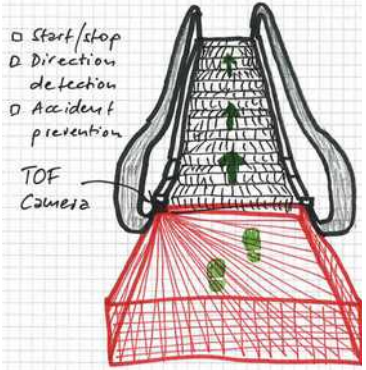
### FEATURES

- ✓ Low cost
- ✓ Eye safe
- ✓ High performance indoor application
- ✓ Storage for calibration data
- ✓ TCMI interface
- ✓ Ultra fast 4 DCS data transfer
- ✓ High quantum efficiency

### FUNCTIONAL DESCRIPTION

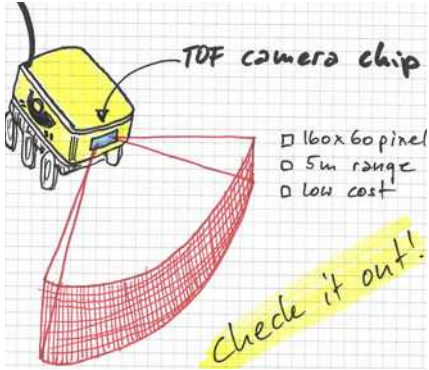
The TOFcb-635-S-UWF is a miniaturized 3D module. It is based on the ESPROS proprietary time-of-flight technology using the epc635 TOF chip. The single board unit contains a storage for complete calibration data set. The TCMI interface allows ultra fast 4 DCS data transfer and guarantees a powerful embedding to extended systems containing a central control unit. Thanks to the high efficiency of the imager chip at 850nm wavelength, this module has best performance for various utilization. With its flexibility it's your first choice for use in mobile robotics and similar applications.

### APPLICATIONS



- Start/stop
- Direction detection
- Accident prevention

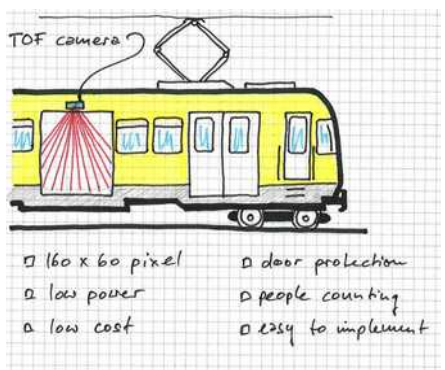
TOF Camera



TOF camera chip

- 16x60 pixel
- 5m range
- low cost

*check it out!*



TOF camera

- 16 x 60 pixel
- low power
- low cost
- door protection
- people counting
- easy to implement

## SPECIFICATIONS



**Range**  
2cm ... 3m



**Temperature Range**  
-20 ... +60°C



**Data Output**  
4 DCS 12/8-bit



**Accuracy**  
2cm ... 1m: ±2cm  
1 ... 3m: ±2%



**Illumination**  
850nm



**Frame Rate**  
up to 20fps



**Field of View**  
125° x 45° Rx (GS)  
125° x 15° Tx (TOF)



**Power Consumption**  
5V, max. 1W



**Various**  
Available with integrated controller (TOFcam-635-S)



**Resolution**  
160 x 60 Pixel

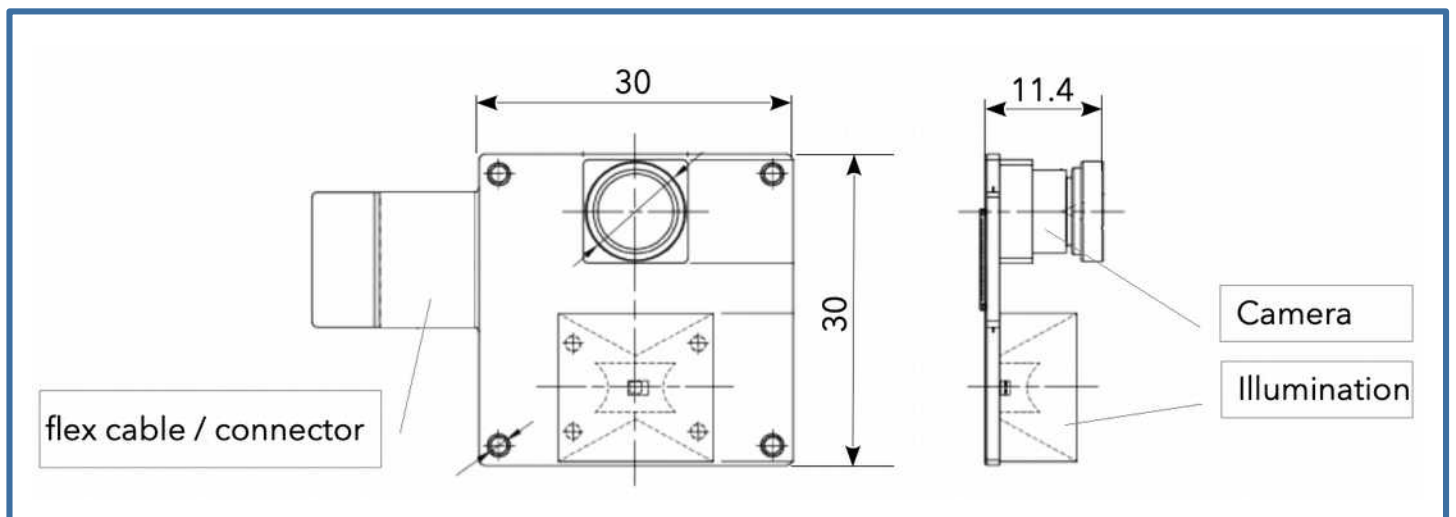


**Interface**  
TCMI  
(epc635 parallel interface)



**Dimensions**  
H x W x D = 30 x 30 x 11.4mm

## MECHANICAL DIMENSIONS



## ORDER INFORMATION

Name:	Part No:
TOFcb-635-S-UWF-850	P100 626

## CONTACT INFORMATION

Headquarters Switzerland  
phone: +41 58 411 03 00  
email: sales@espros.com

US / Canada Sales Office  
phone: +1 336 837 8820  
email: sales\_us@espros.com

China Sales Office  
phone: +86 150 2112 2587  
email sales@espros.cn