



# TOFcam-635-S-UWF

## 3D Micro-Camera

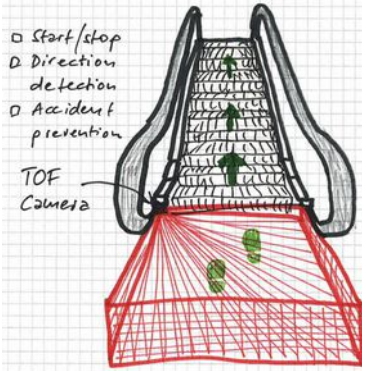
### FEATURES

- ✓ Low cost
- ✓ Eye safe
- ✓ High performance indoor application
- ✓ Processor for embedded application
- ✓ Calibrated and compensated
- ✓ UART Operating interface
- ✓ USB Programming interface
- ✓ Semiconductor or relay output

### FUNCTIONAL DESCRIPTION

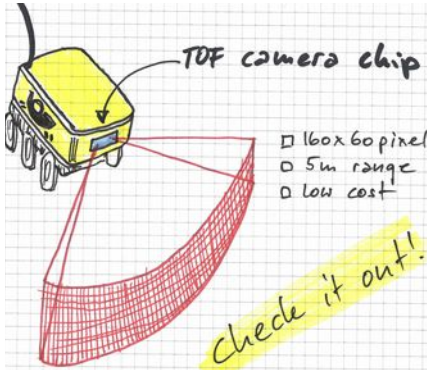
The TOFcam-635-S-UWF is a miniaturized 3D camera. It is based on the ESPROS proprietary time-of-flight technology using the epc635 TOF chip. The camera controller contains a processor which is open for simple customer specific application software. Programmable NO / NC outputs allow customers to fully turn this camera into a TOF sensor. The USB interface gives safe control and easy programming and teaching capabilities. The fast UART interface guarantees a powerful embedding to extended systems containing a central control unit. All depth images are compensated against ambient light, temperature and reflectivity of the scenery. Thanks to the high efficiency of the imager chip at 850nm wavelength, this camera has best performance for various utilization. With its flexibility it's your first choice for use in mobile robotics and similar applications.

### APPLICATIONS



- Start/stop
- Direction detection
- Accident prevention

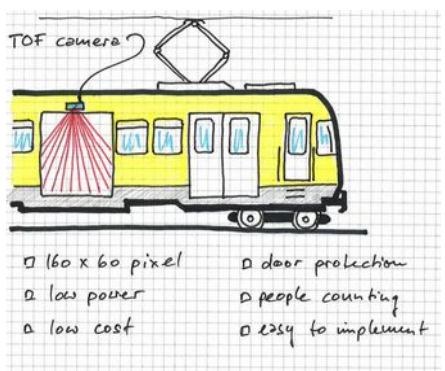
TOF Camera



TOF camera chip

- 160x60 pixel
- 5m range
- low cost

*check it out!*



TOF camera

- 160 x 60 pixel
- low power
- low cost
- door protection
- people counting
- easy to implement

## SPECIFICATIONS



**Range**  
5cm ... 3m



**Temperature Range**  
-20 ... +60°C



**Data Output**  
Distance data in mm  
Confidence data  
Grayscale data



**Accuracy**  
5cm ... 1m: ±2cm  
1 ... 3m: ±2%



**Illumination**  
850nm



**Frame Rate**  
up to 20fps



**Field of View**  
120° x 45° Rx (GS)  
120° x 25° Tx (TOF)



**Power Consumption**  
24VDC  
Approx. 1.7W, depending on operating mode



**Various**  
Available processor capacity for embedded application



**Resolution**  
160 x 60 Pixel

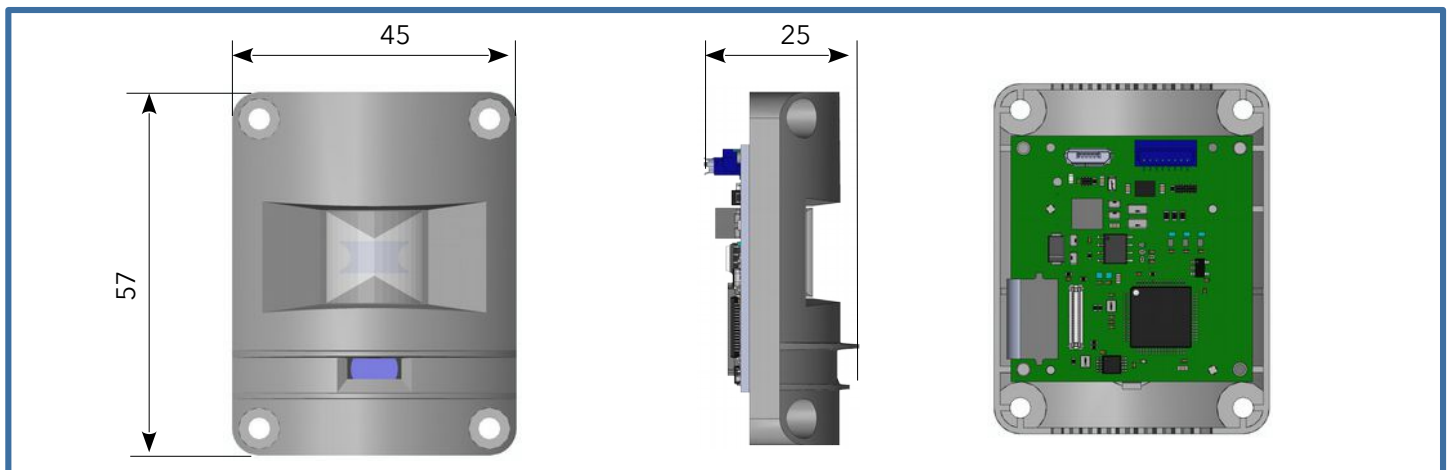


**Interface**  
UART, USB  
NO / NC output 24V  
2x low side, 1x high side  
Optional relay output



**Dimensions**  
H x W x D = 57 x 45 x 25mm

## MECHANICAL DIMENSIONS



## ORDER INFORMATION

Name:	Part No:
TOFcam-635-S-UWF-850-R	P100 623
TOFcam-635-S-UWF-850-E	P100 651
Power Supply 24 VDC	P100 660

## CONTACT INFORMATION

Headquarters Switzerland  
phone: +41 58 411 03 00  
email: sales@espros.com

US / Canada Sales Office  
phone: +1 336 837 8820  
email: sales\_us@espros.com

China Sales Office  
phone: +86 150 2112 2587  
email sales@espros.cn